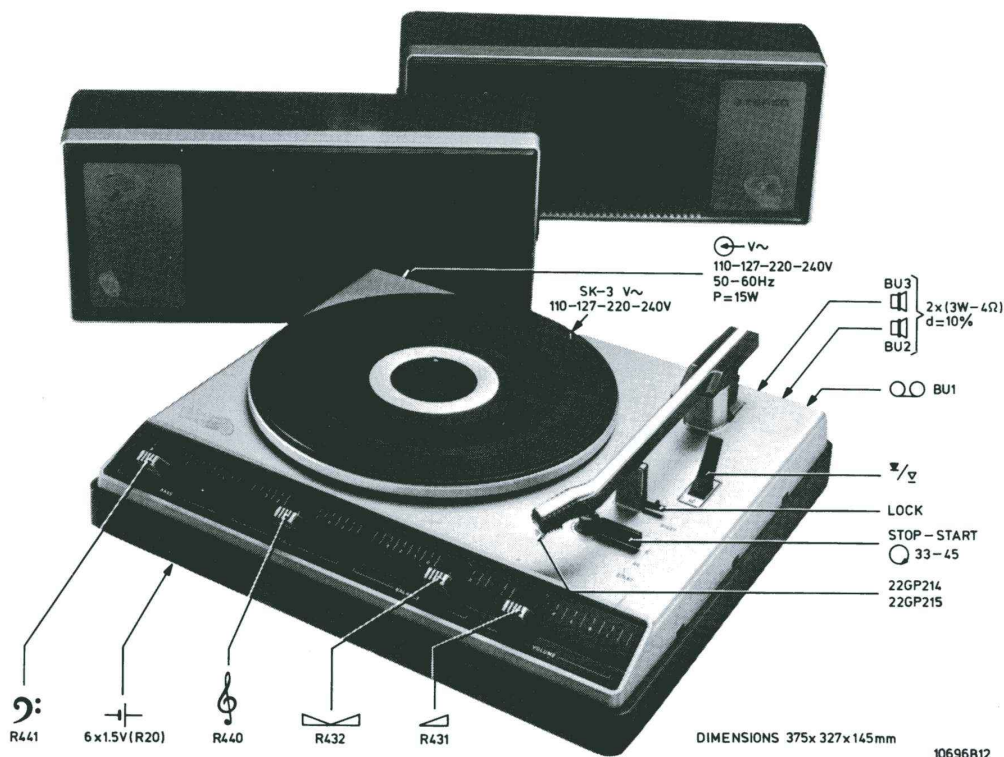


Service  
Service  
Service

# Service Manual

For record changer see 22GC051/R version



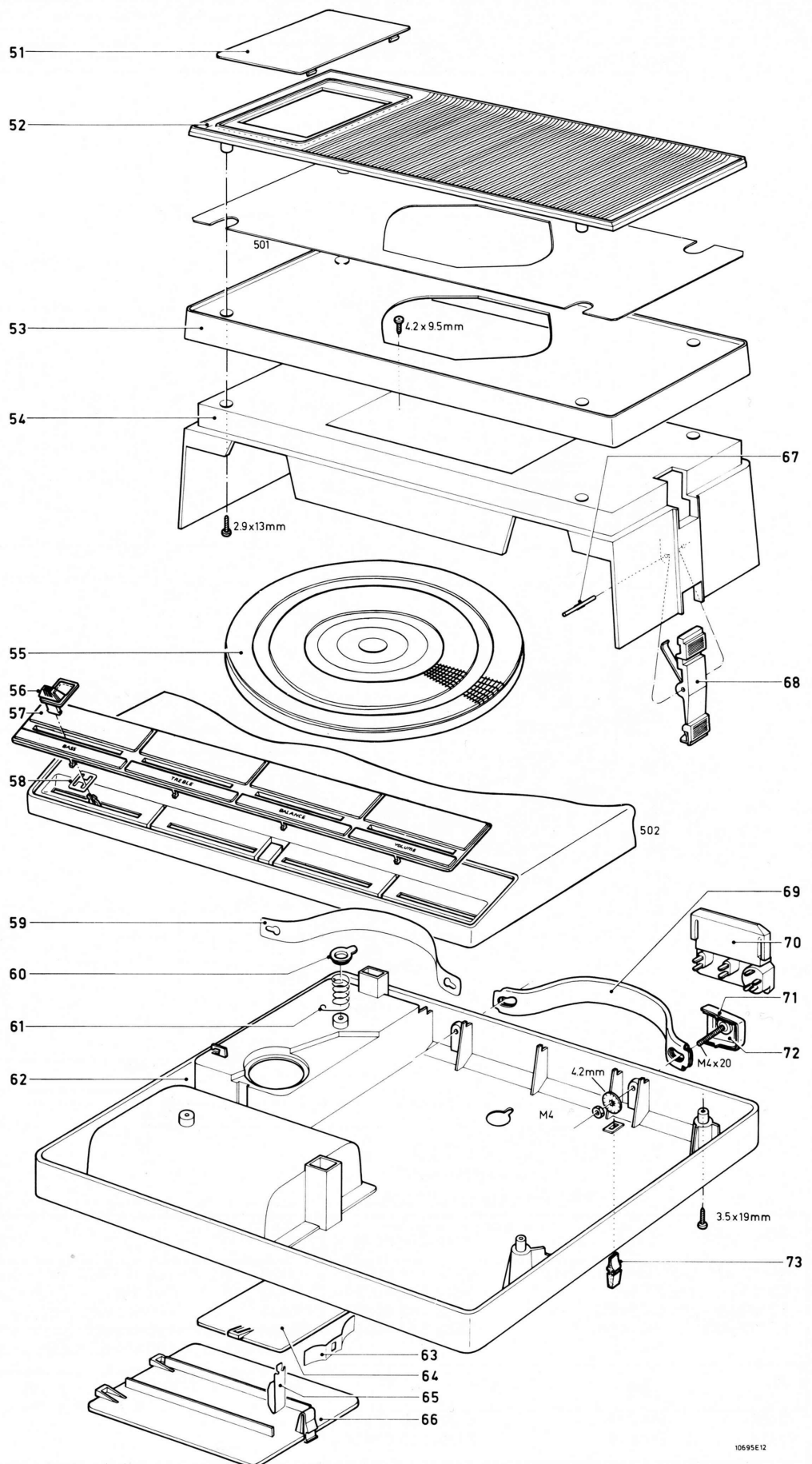
Safety regulations require that the set be restored to its original condition and that parts which are identical with those specified, be used.

Documentation Technique Service Dokumentation Documentazione di Servizio Huolto-Ohje Manual de Servicio Manual de Servicio



Subject to modification  
 4822 726 11778  
 Printed in The Netherlands

**PHILIPS**



51	4822	454	30259
52	4822	458	50248
53	4822	444	30201
54	4822	444	20167
55	4822	528	10315
56	4822	411	60522
57	4822	454	30258
58	4822	402	60558
59	4822	466	80706
60	4822	290	30096
61	4822	492	50903
62	4822	444	50237
63	4822	492	61902
64	4822	426	60062
65	4822	492	61688
66	4822	426	60061
67	4822	535	10119
68	4822	417	60166
69	4822	498	40418
70	4822	267	20152
71	4822	498	70045
72	4822	402	60447
73	4822	462	40328

Fig. 1

10695E12

S																				S403 S404						
C	739	745	747	751	749	737	743	703	707	711	723					715	709	701	719	721	705	725				
C	740	746	748	752	750	738	744	704	708	712	724					714	710	702	720	722	706	726				
R	531	525	520	441a	519	523	432a	440a	507	431a												505	501	503		
R	532	526	530	441b	520	524	432b	440b	508	431b												506	502	504	513 509	
MISC	Bu1 TS437 TS438																				Bu2 S403 Bu3 S404 TS421 M					

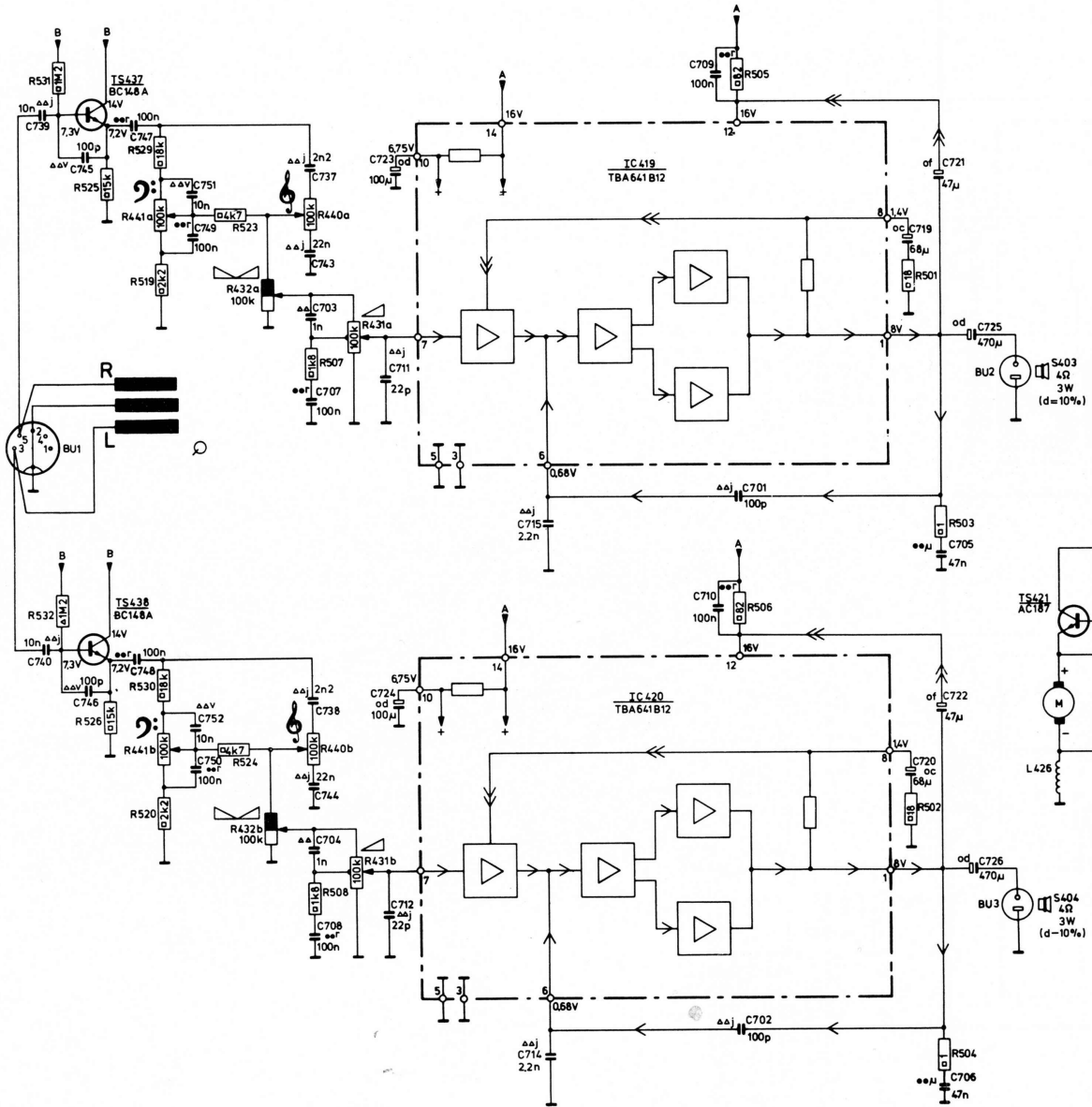
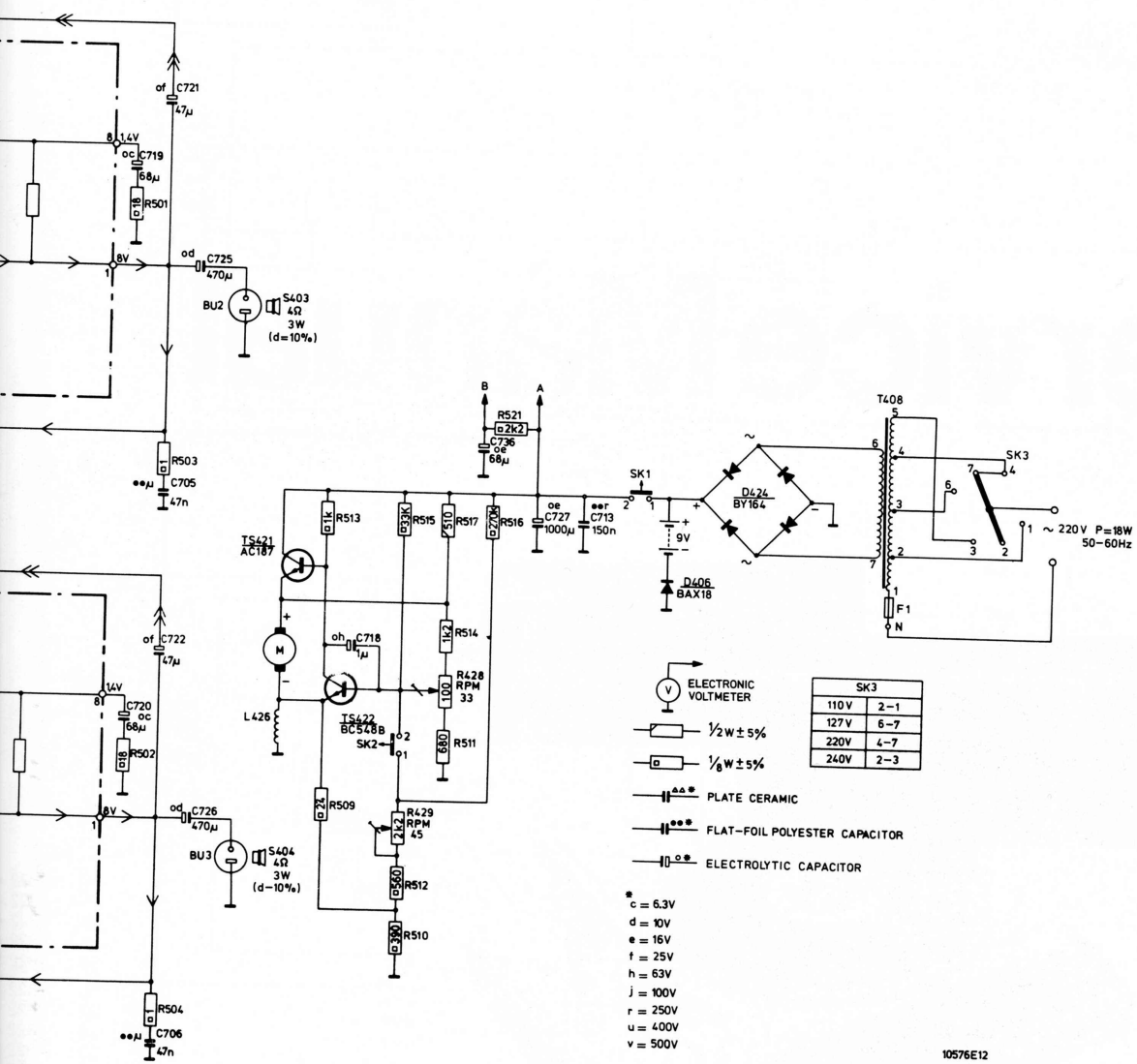


Fig. 2

-IC-	-TS-				-R-				
IC419-420	TBA641 - B12		4822	209	80271	R428	100 Ω lin.	4822 100 10075	
TS421	AC187		5322	130	40314	R429	2k2 lin.	4822 100 10029	
TS422	BC548B		4822	130	40937	R433	100 k semi log.	4822 105 10154	
TS437-438	BC148A		5322	130	40317	R432	100 k spec.	4822 105 10155	
						R440-441	100 k lin	4822 105 10156	
-D-									
D406	BAX18		5322	130	34121	R511	680 Ω 0,4 W ± 2%	5322 116 54534	
D424	BY164		5322	130	30414	R514	1,2 k 0,4 W ± 2%	5322 116 54557	

-L -	-S	
S403-		
L426		
-SK-		
SK3		

S403 S404		L426			
719	721	705	725	736	
720	722	706	726	718	
501	503			727 713	
502	504			521	
Bu2 S403		Bu3 S404		TS421 M TS422	
513 509 515 429 512 510 517 514 428 511 516				SK1 D406 D424 T408 T408 F1 SK3	



SK3	
110 V	2-1
127 V	6-7
220 V	4-7
240 V	2-3

- ELECTRONIC VOLTMETER
- 1/2 W ± 5%
- 1/8 W ± 5%
- PLATE CERAMIC
- FLAT-FOIL POLYESTER CAPACITOR
- ELECTROLYTIC CAPACITOR

10576E12

Fig. 2

10075  
10029  
10154  
10155  
10156  
  
54534  
54557

-L.-S-			Miscellaneous
S403-404	4 Ω	4822 240 20014	T408 4822 145 30195
L426		4822 157 50789	F1 4822 252 20007
			M 4822 361 20112
-SK-			
SK3		4822 272 10083	

M	IC419			IC420			TS421.TS422.TS437.L426.			TS438.	
C	705.701.711.725.715.	709.719.721.723.751.726.	749.750.	714.702.712.707.744.	706.710.708.	722.724.720.713.703.718.745.739.	740.	740.	704.746.	748.727.	
C			749.750.	743.752.		747.					
R	503.	501.505.520.519.432.	508.507.	504.523.524.	506.502.	517.	513.515.	532.514.431.511.510.512.516.			
R		441		529.530.		525.	531.	428.509.429.526.440.			

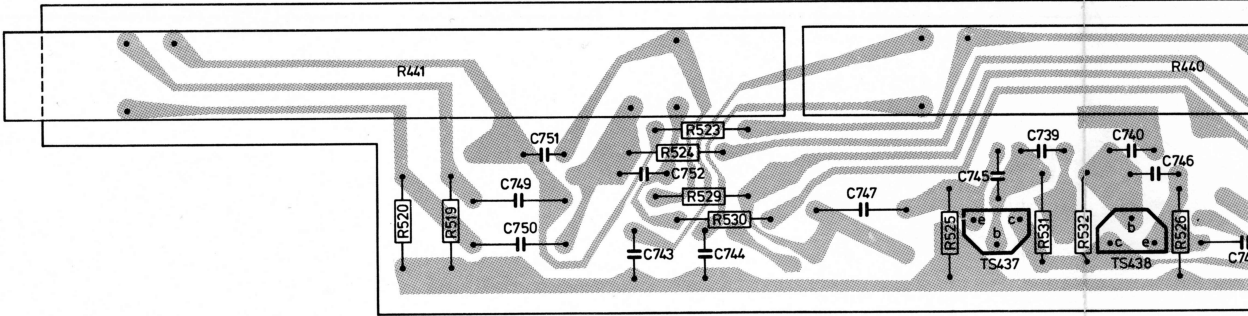
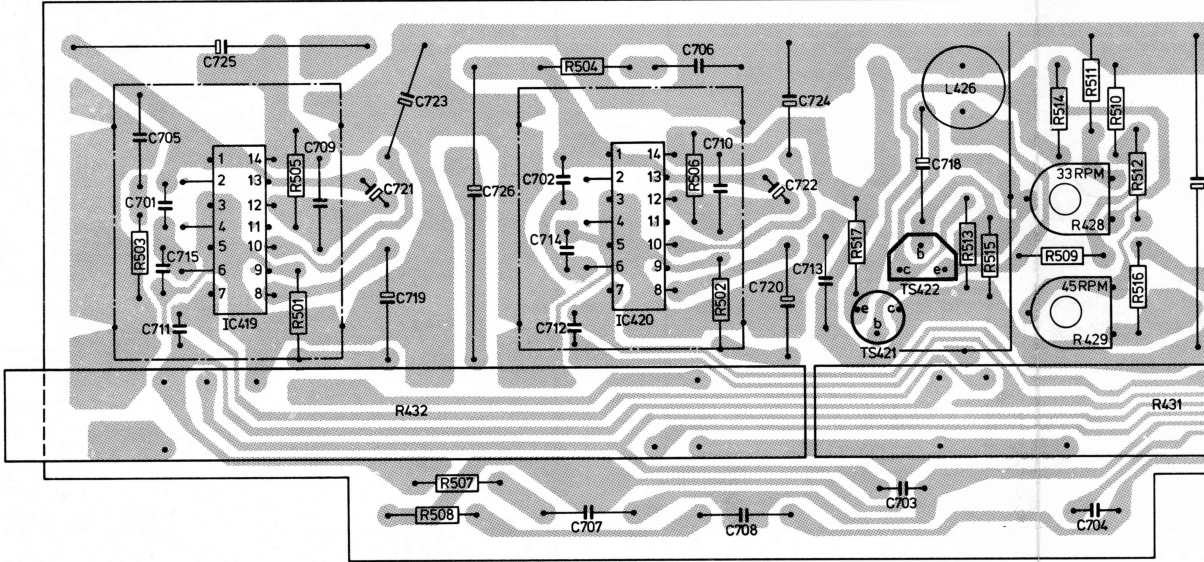
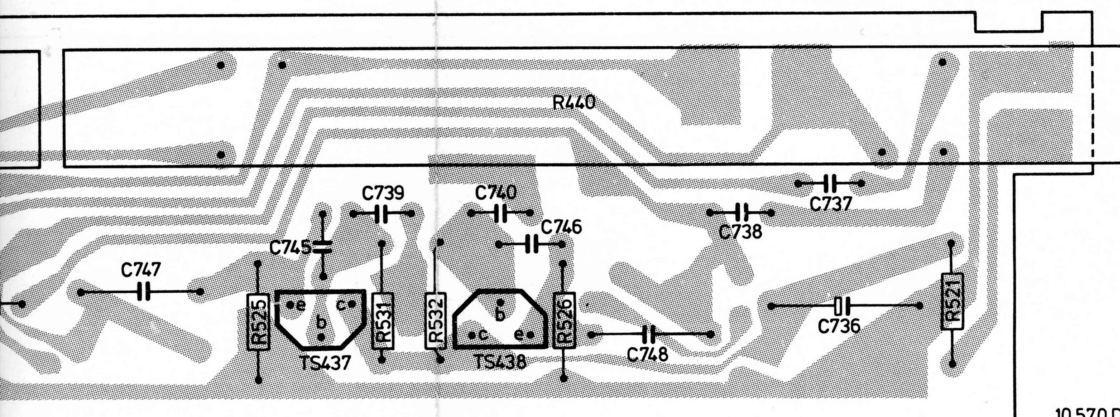
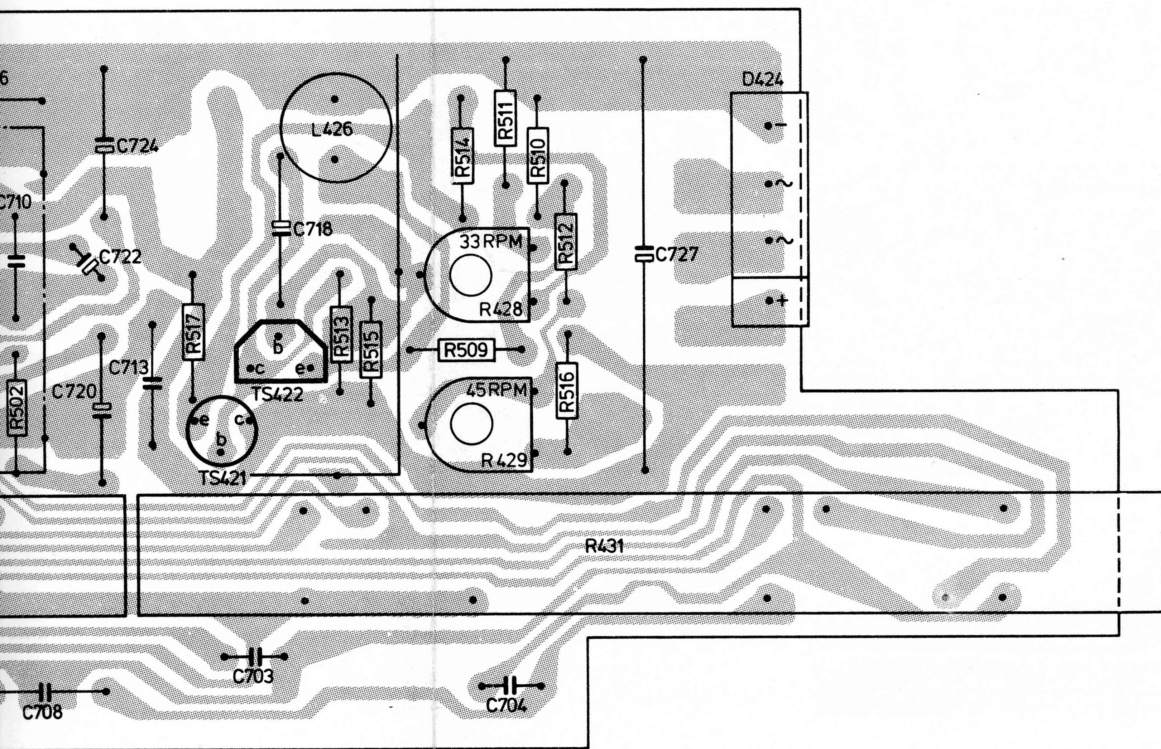


Fig. 4

	TS421.TS422.TS437.L426.	TS438.	D424.	M	
0.708.	722.724.720.713.703.718.745.739.	704.746.	748.727.738.	737.736.	C
	747.	740.			C
5.502.	517.	513.515.	532.514.431.511.510.512.516.		R
	525.	531.	428.509.429.526.440.	521.	R



10570D8

Fig. 4

M	D424	TS438.TS437.S426.TS422.TS421.										IC420				IC419										
C	736-738.	727.748.	704. 740.	739	745.718.	703. 713.720.724.722.708.710.706.	744. 712.702.707. 714.	726.749.723.719.721.	709.	725. 711. 701. 705. 715																
R	509.516.510-515.										525.517.	502.506.	523.524.504.	432.507.508.	520.505.501.	503										
R	431.440.526.428.429.532.										531.	529.530.				519.441.										

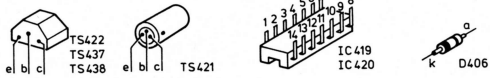
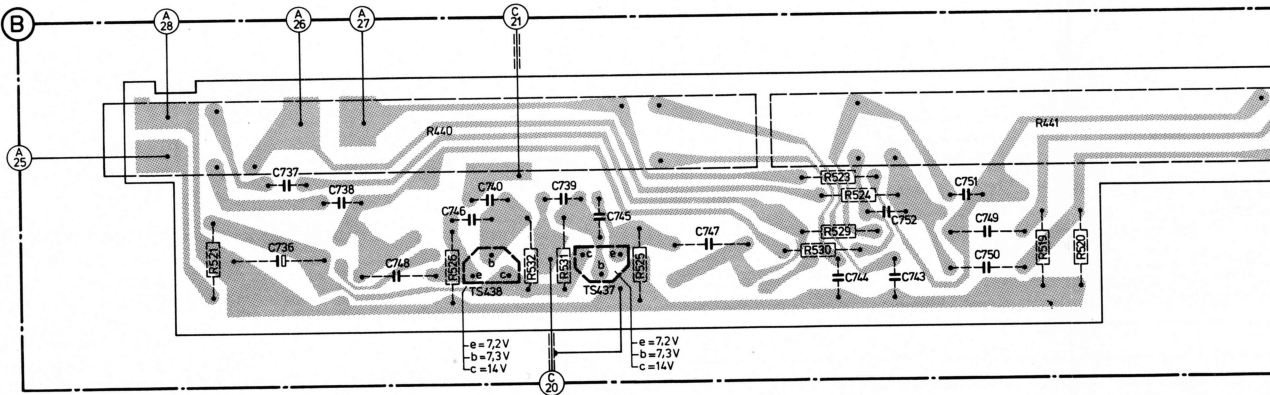
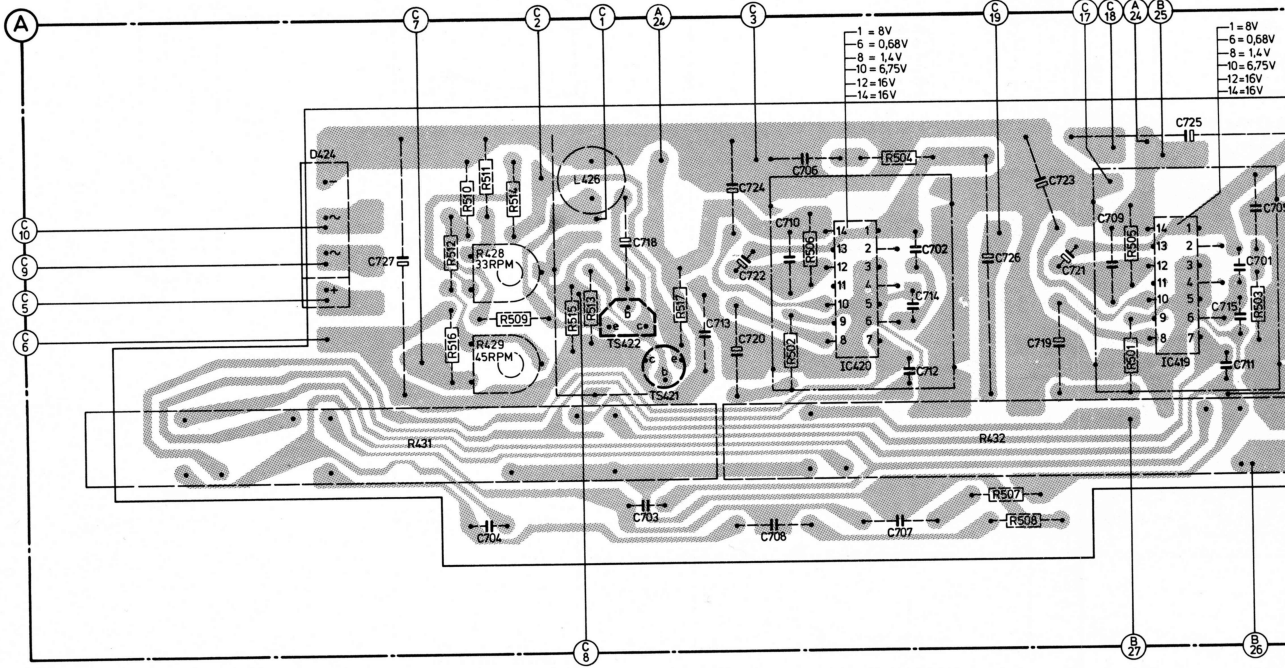


Fig. 3

2.702.707.714.	726.749.723.719.721.	709.	IC419	PU D406 SK3	BU1	BU2.F1	BU3 M	T408	SK1 SK2
752.743.	751.750.		725. 711.701.705.715						
504.	432.507.508.	520.505.501.	503						
30.	519.441.								

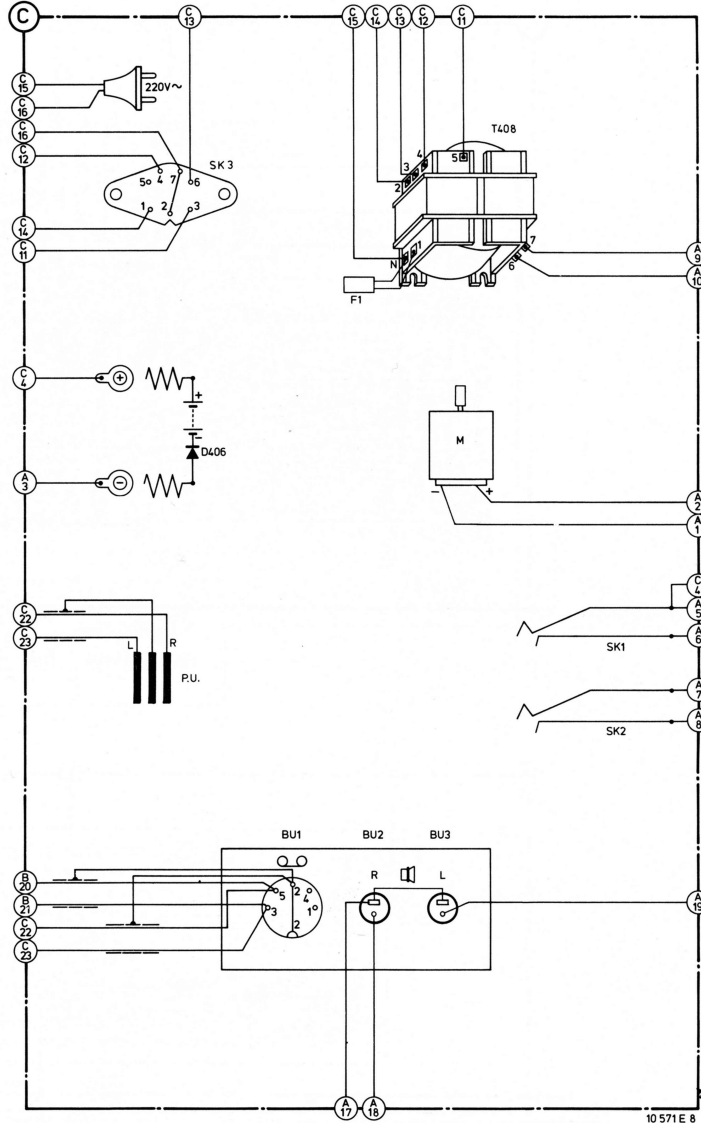
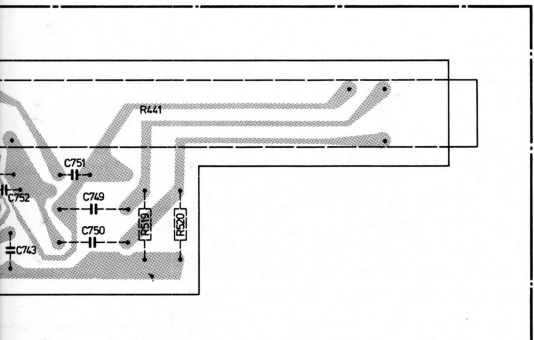
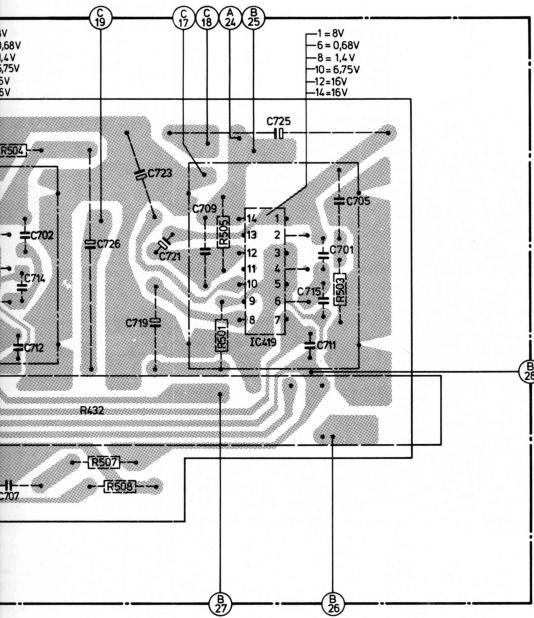


Fig. 3